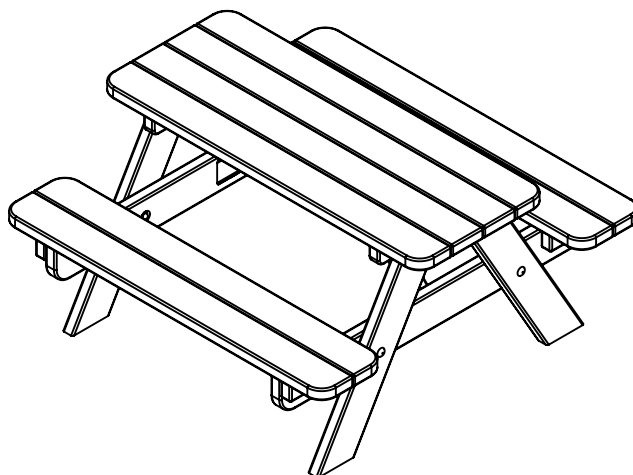
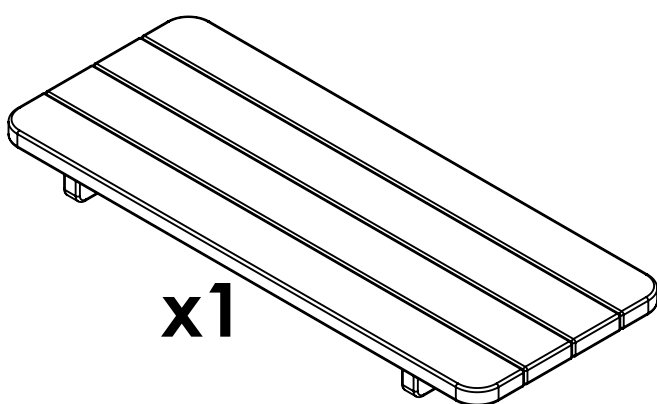


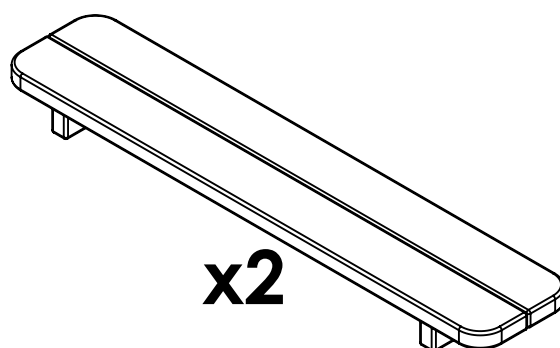
253538



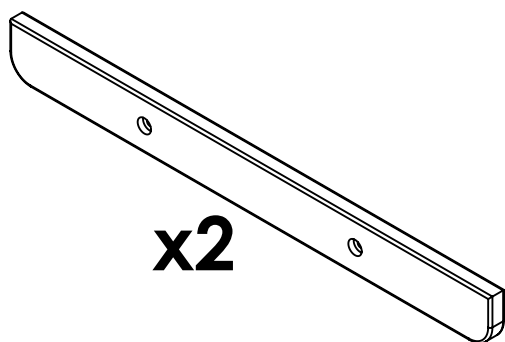
1



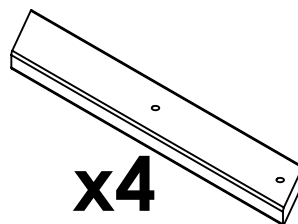
2



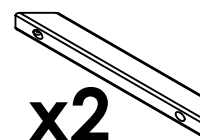
3



4

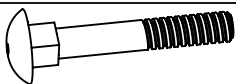


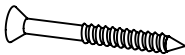


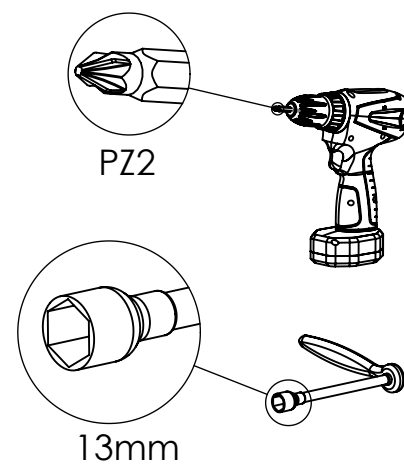
5



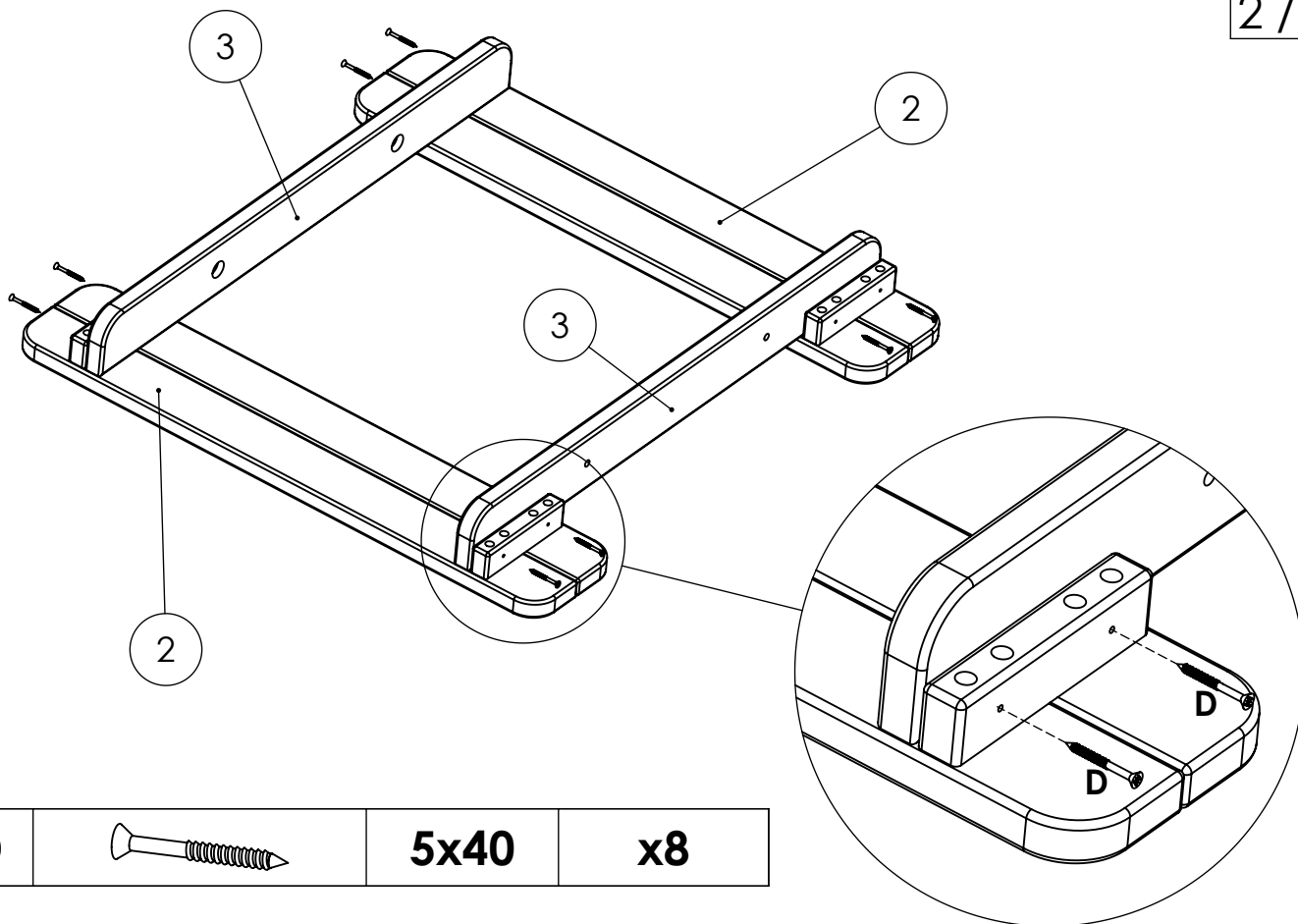
6

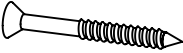


A		M8x55	x8
B		M8	x8
C		M8	x8
D		5x40	x12

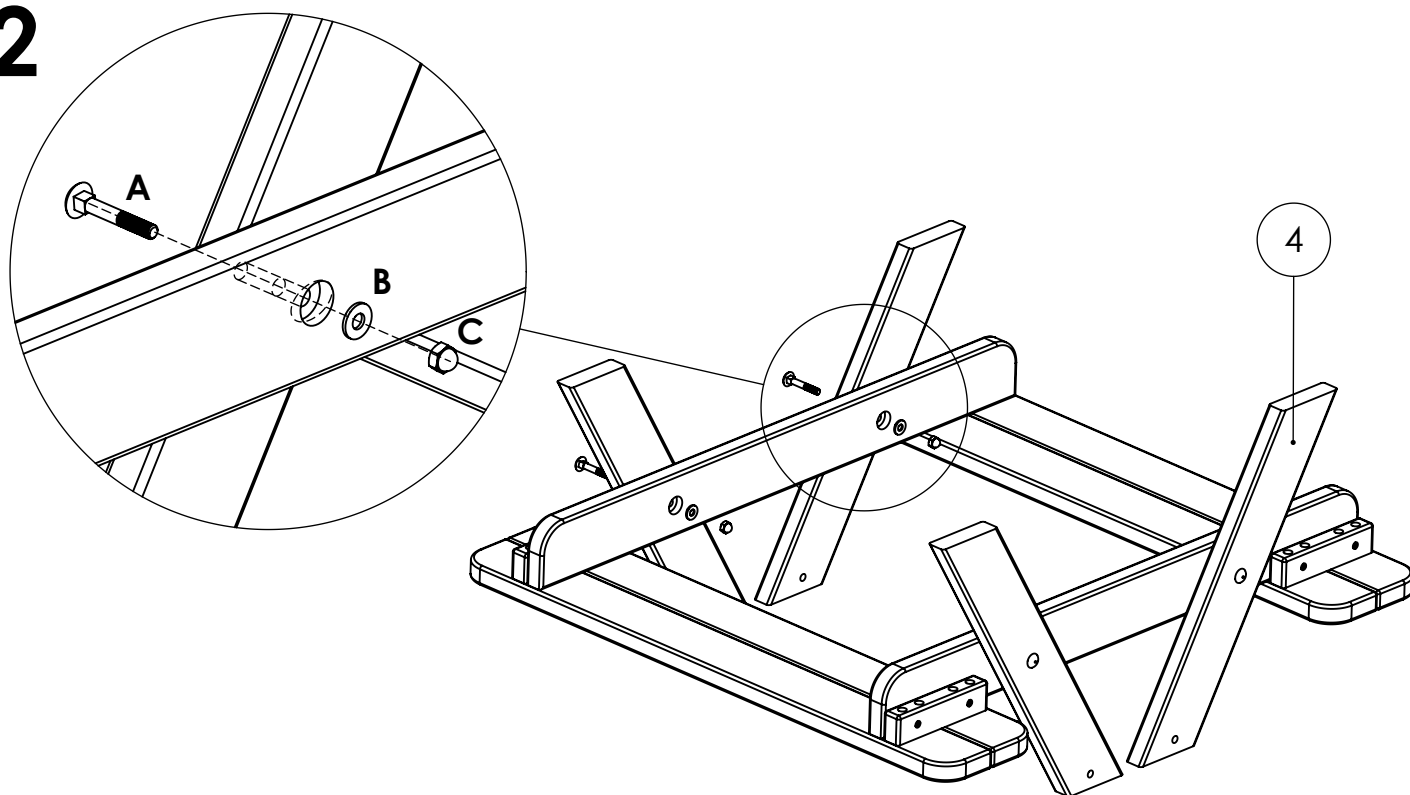





1



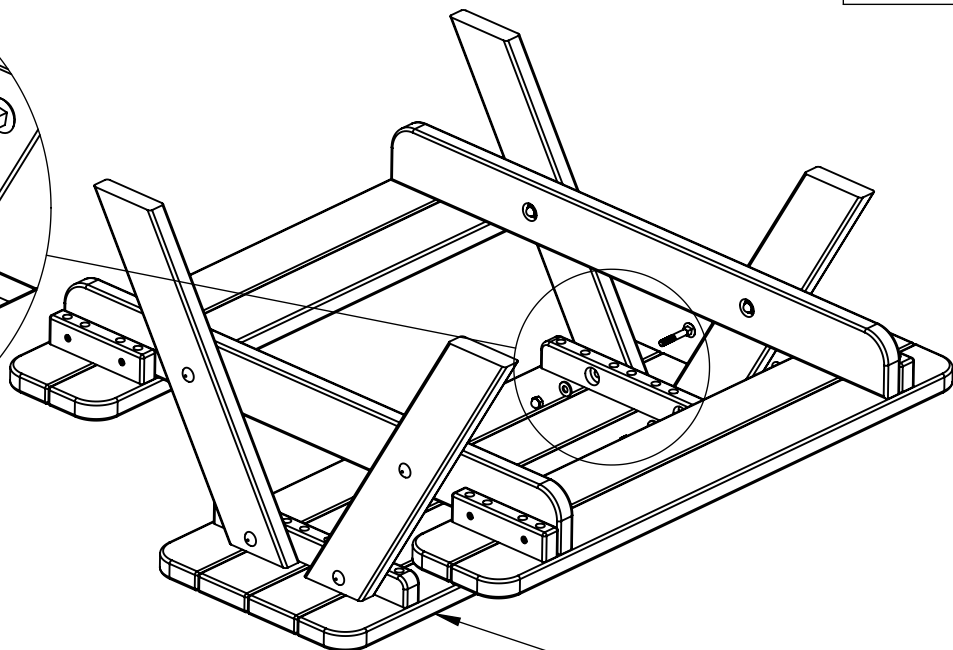
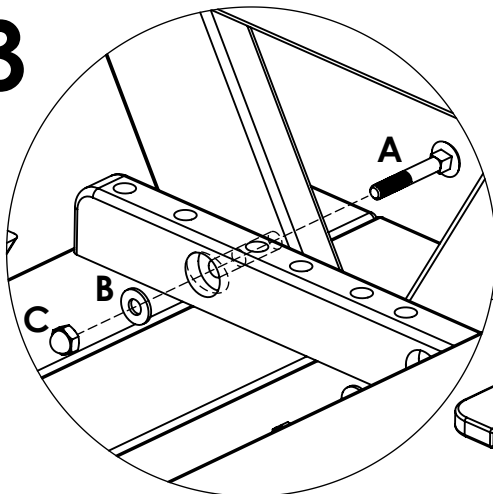
D		5x40	x8
----------	---	-------------	-----------

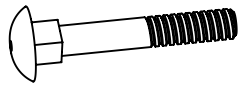


2



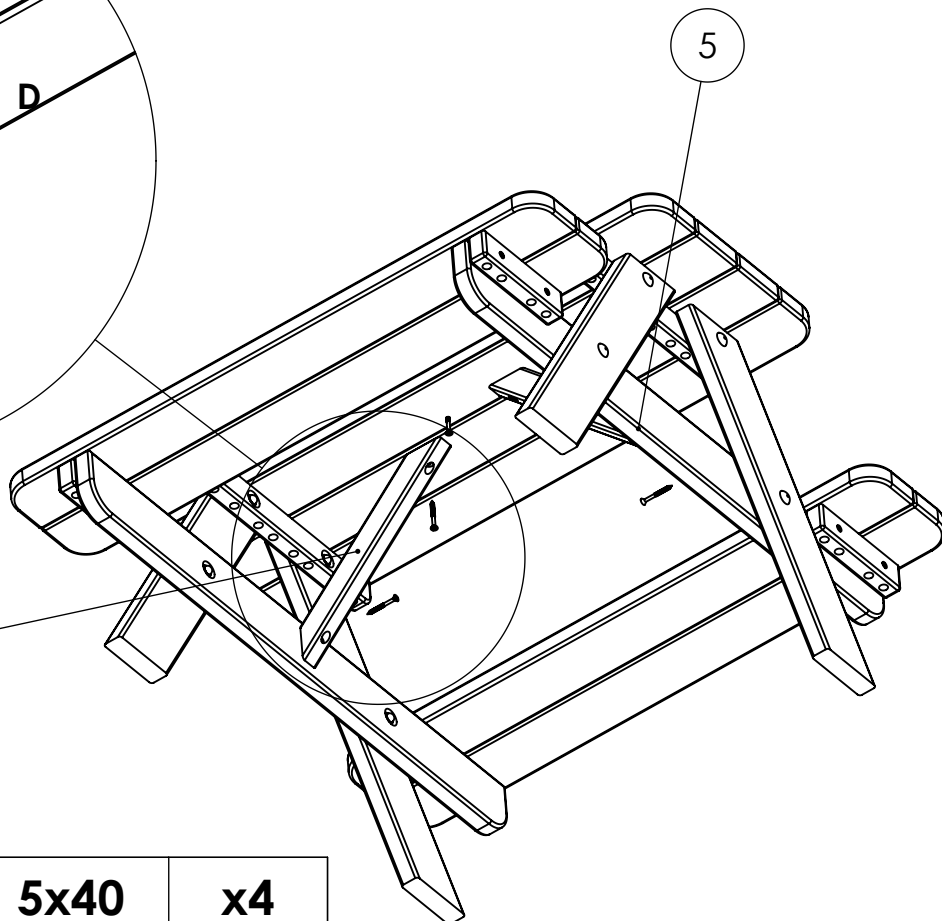
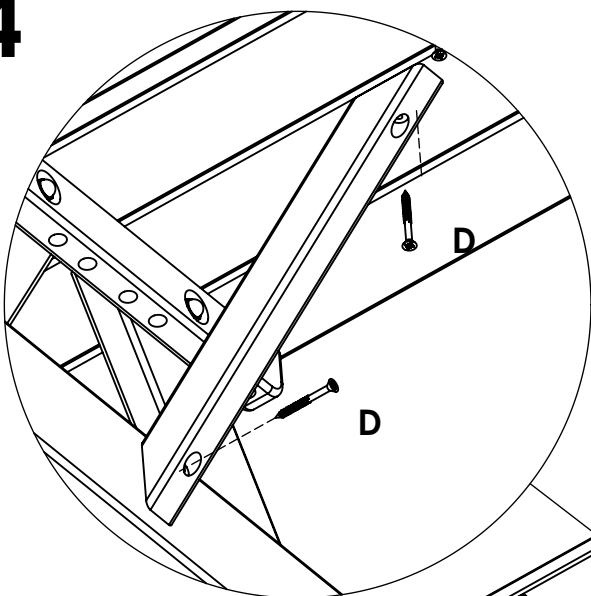
A		M8x55	x4
B		M8	x4
C		M8	x4

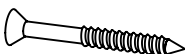
3



A		M8x55	x4
B		M8	x4
C		M8	x4

4



D		5x40	x4
----------	---	-------------	-----------

