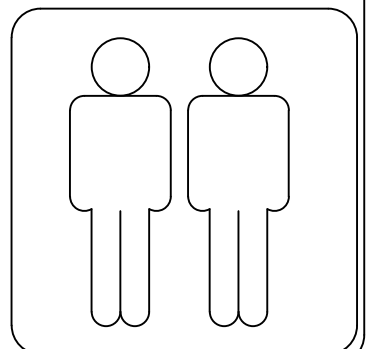
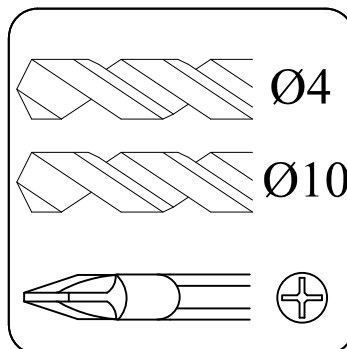
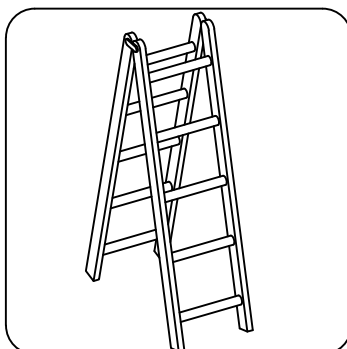
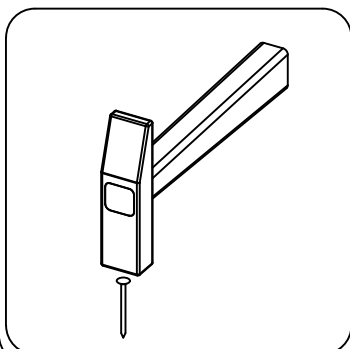
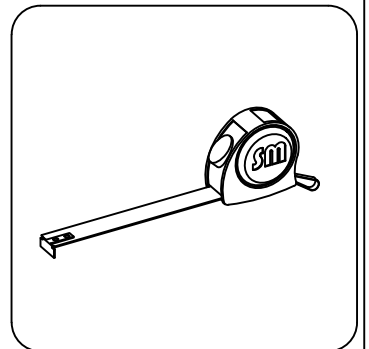
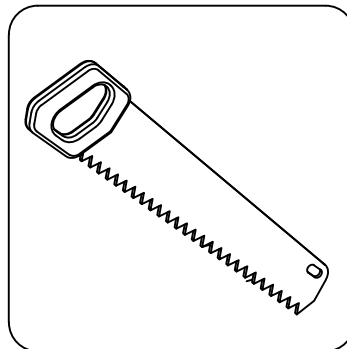
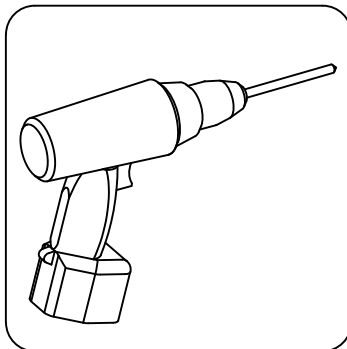
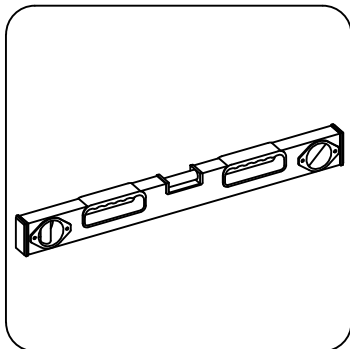
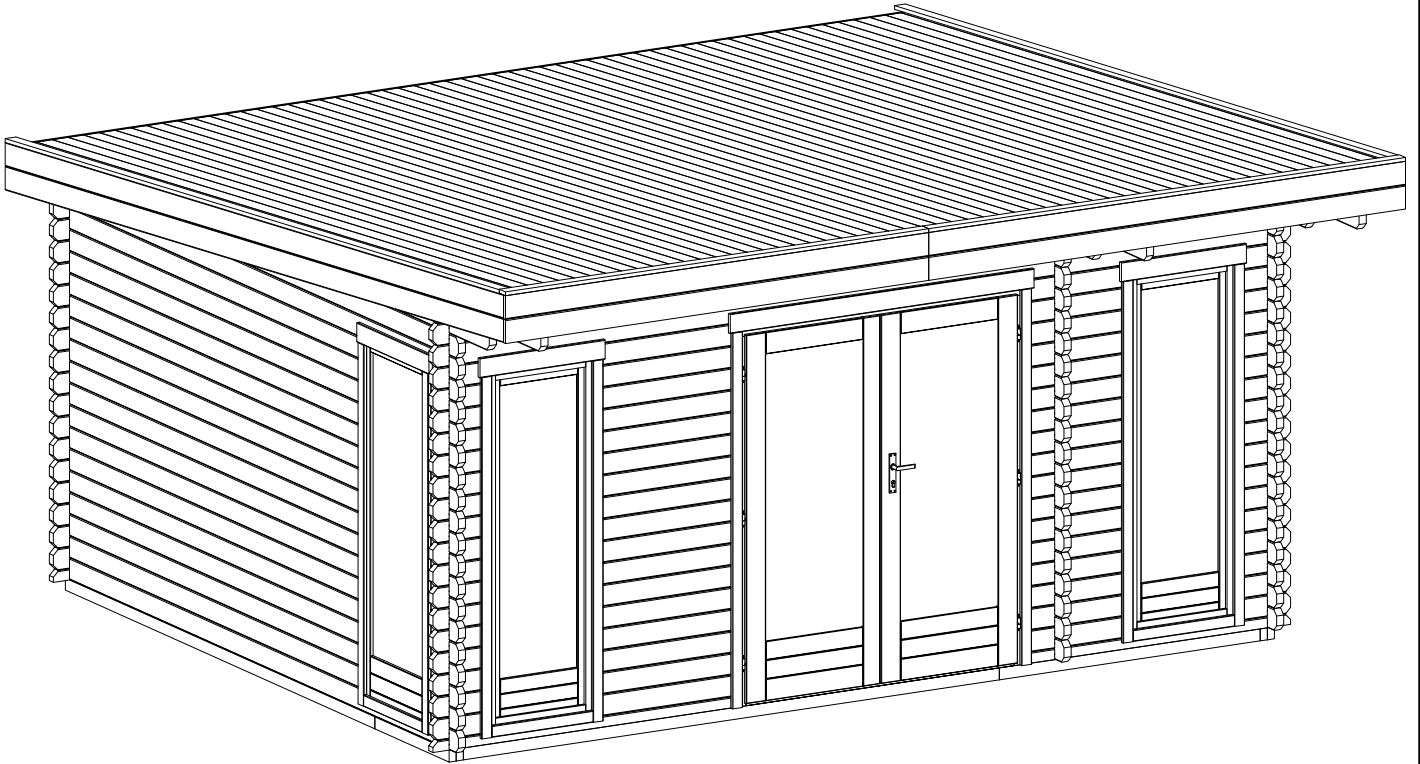


→||←40mm

4,8 x 3,9

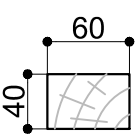
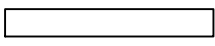
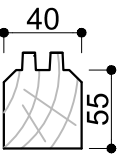
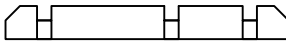
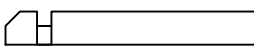
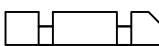
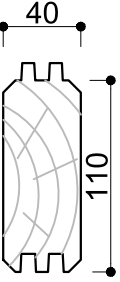




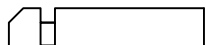

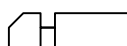


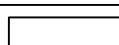
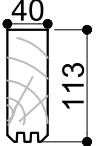
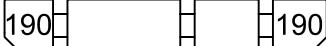
40234



→||←40mm

SPECIFICATION 4,8 x 3,9

40234

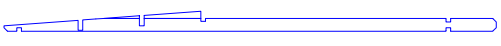

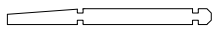

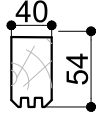

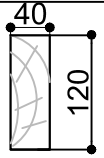
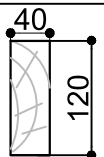
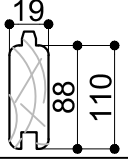
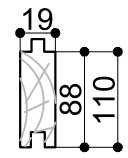
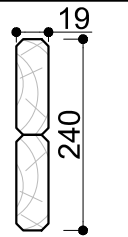
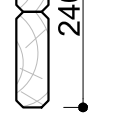
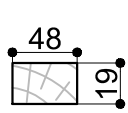
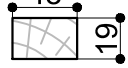
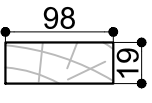
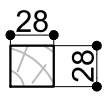
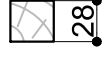
Dim.	Skizze	Pos.	Länge (mm)	Stck.	Name	Ref.
		①	3000	14	Fundamentbalken Foundation beam	
		②	1460	10		
		③	720	4		
		④	400	6		
		④a	475	6		
		⑤	4800	1	Zurück Brett Back board	
		⑥	1695	1	Front Brett Front board	
		⑦	1490	1	Front Brett Front board	
		⑧	3900	21+1	Seiten Brett Side board	
		⑧a	3900	1	Seiten Brett Side board	
		⑧b	2980	16	Seiten Brett Side board	
		⑧c	3900	1	Seiten Brett Side board	
		⑨	2530	18	Seiten Brett Side board	
		⑩	4800	23+1	Front/Zurück Brett Front/Back board	
		⑪	285	50	Front Brett Front board	
		⑫	570	17	Front Brett Front board	
		⑬	515	18	Seiten Brett Side board	
		⑭	770	17	Front Brett Front board	
		⑯	5000	2	Front/Zurück Brett Front/Back board	

Alle maßen ca +/-3% / size tolerance +/- 3%

→ || ← 40mm

SPECIFICATION 4,8 x 3,9

40234

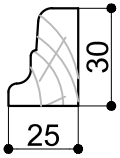
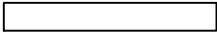
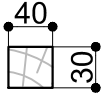

	①7	4200	3	Seiten Brett Side board	
	①8	2993	3	Seiten Brett Side board	
	①9	1416	3	Seiten Brett Side board	
	②0	877	3	Seiten Brett Side board	
	②1a	3600	1	Front Brett Front board	
	②1b	1400	1		
	②2	5000	6	Sparren Rafters	
	②3	90	2		
	②4	4800	57+1 (46+1)	Dach Bretter Roof board	
	②5	3630	52+1 (42+1)	Boden Bretter Floor board	
	②7a	4850	1+1	Wind Brett Planche de rive Wind board	
	②8a	2519	1+1		
	②9	2406	4	Wind Brett Planche de rive Wind board	
	③0	2519	2		
	③1	2500	2	Wind Brett Planche de rive Wind board	
	③2	2500	1	Wind Brett Planche de rive Wind board	
	③3	2500	1		

Alle maßen ca +/-3% / size tolerance +/- 3%

→||←40mm

SPECIFICATION 4,8 x 3,9

40234

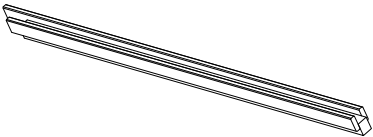
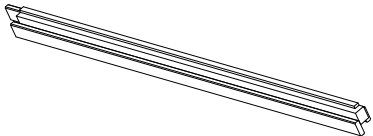

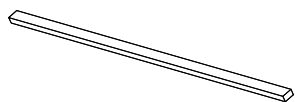
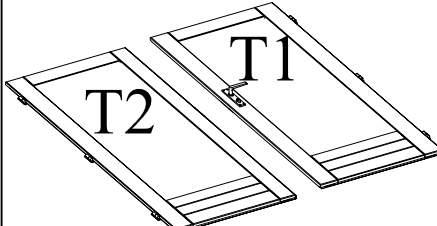
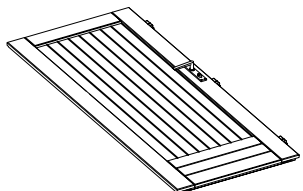
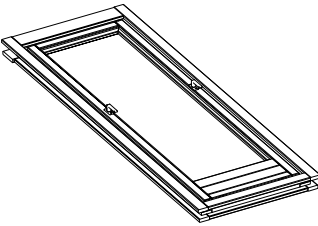
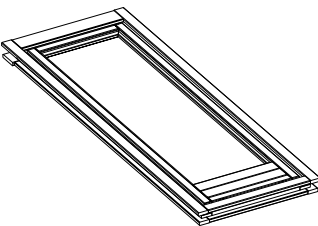
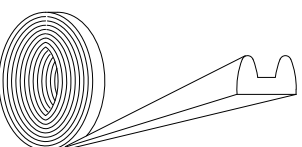
		34	3640	4		
		35	3650	1		
		36	1150	1		
		37	1550	1		
		38	800	1		
		40	855	1		

Alle maßen ca +/-3% / size tolerance +/- 3%

→||←40mm

SPECIFICATION 4,8 x 3,9


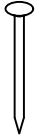
40234

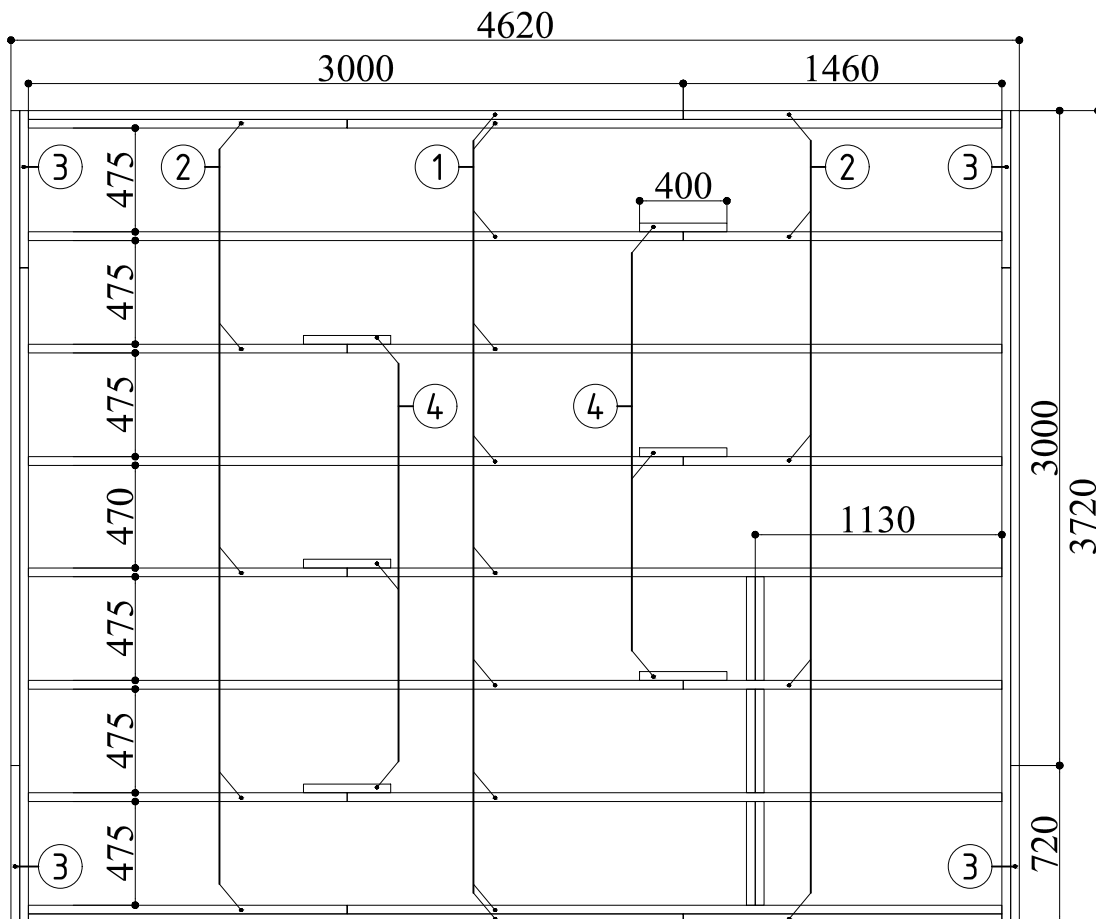
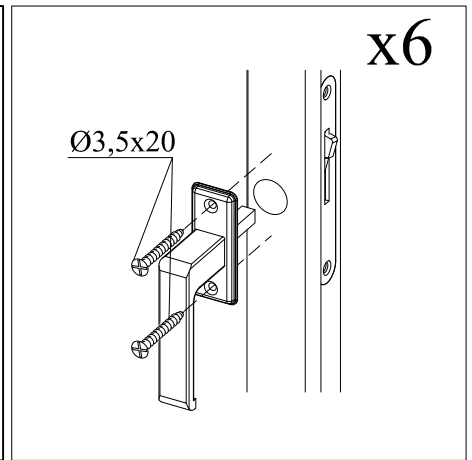
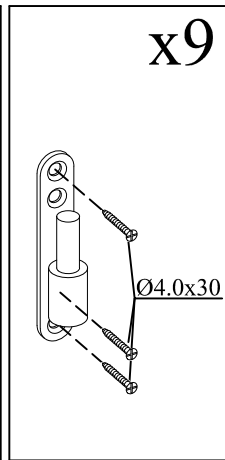
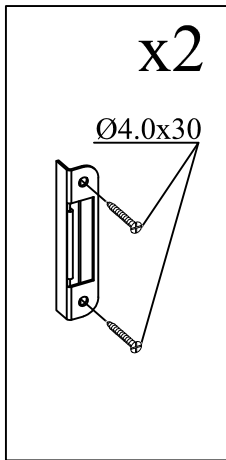
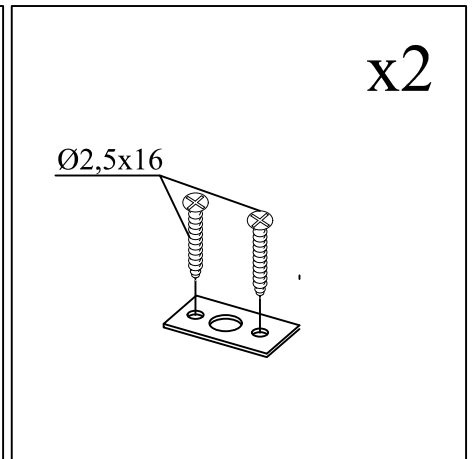
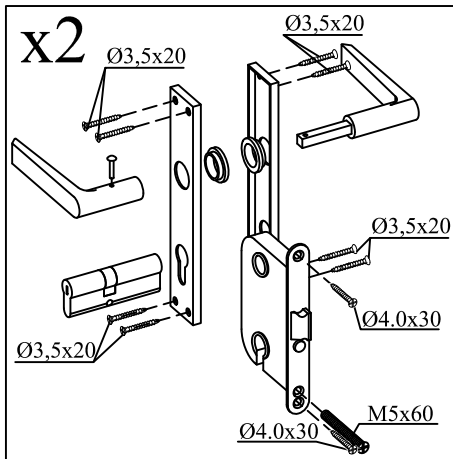
	(TR1)	1973	1	Türrahmen links Door frame left	409224
	(TR5)	1973	1		409228
	(TR2)	1973	1	Türrahmen rechts Door frame right	409225
	(TR6)	1973	1		409225
	(TR3)	1700	1	Über Türrahmen Door frame top	409226
	(TR7)	945	1		409229
	(TR4)	1500	1	Türstufe Door frame bottom	409227
	(TR8)	745	1		409230
	(T1)	1850x 765	1	Tür Doors	289020 T1
	(T2)	1850x 765	1		289020 T2
	(T3)	1850x 765	1	Tür Doors	289023 T3
	(F1)	1955x 700	3	Fenster Window	409111
	(F2)	1955x 700	1	Fenster Window	409112
		14.1m	1	Dichtgummi sealing rubber	

→ || ← 40mm

SPECIFICATION 4,8 x 3,9

40234

	Pos.	Dim	Stck.
		Ø5.0 x 120	39
		Ø3.5 x 60	54
		Ø3.5 x 80	19
		Ø3.5 x 40	128
		Ø2.0 x 40	520
		Ø2.0 x 50	420

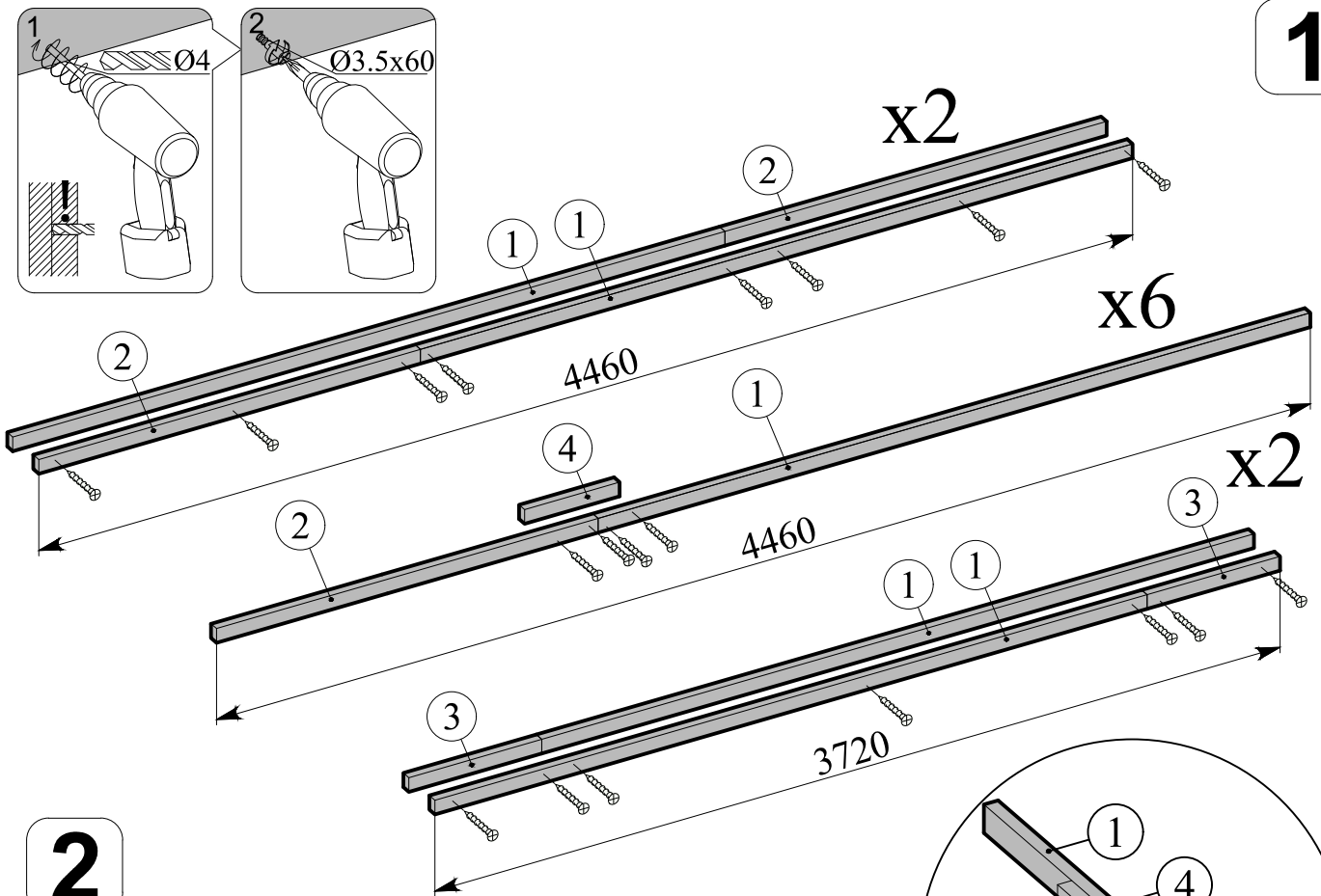


→||←40mm

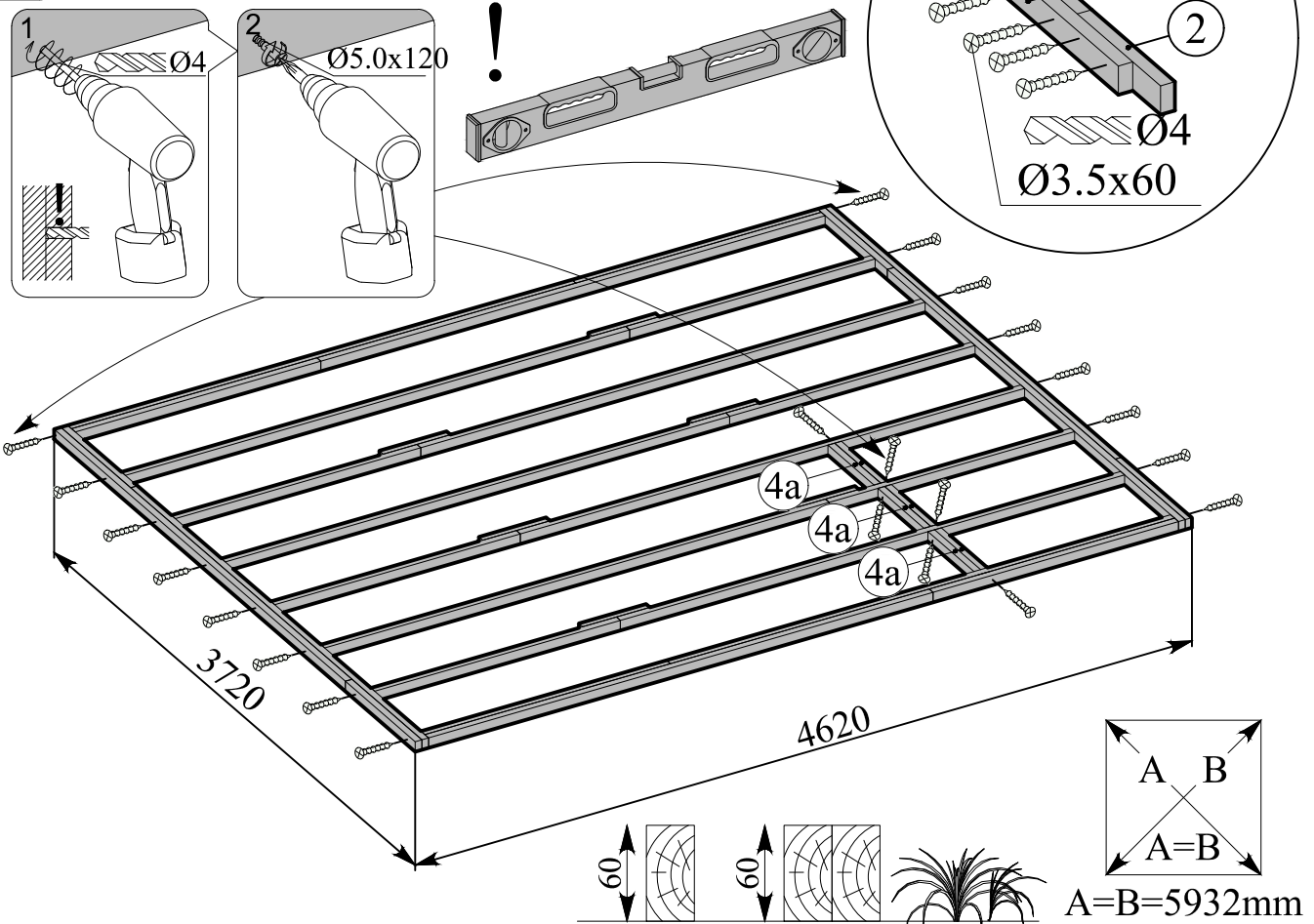
4,8 x 3,9

40234

1



2



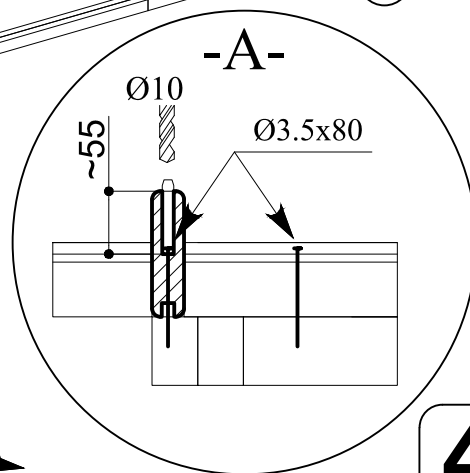
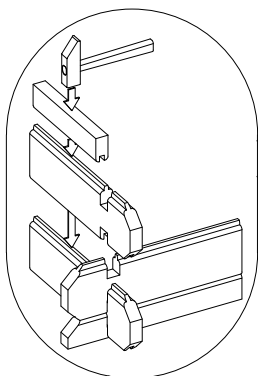
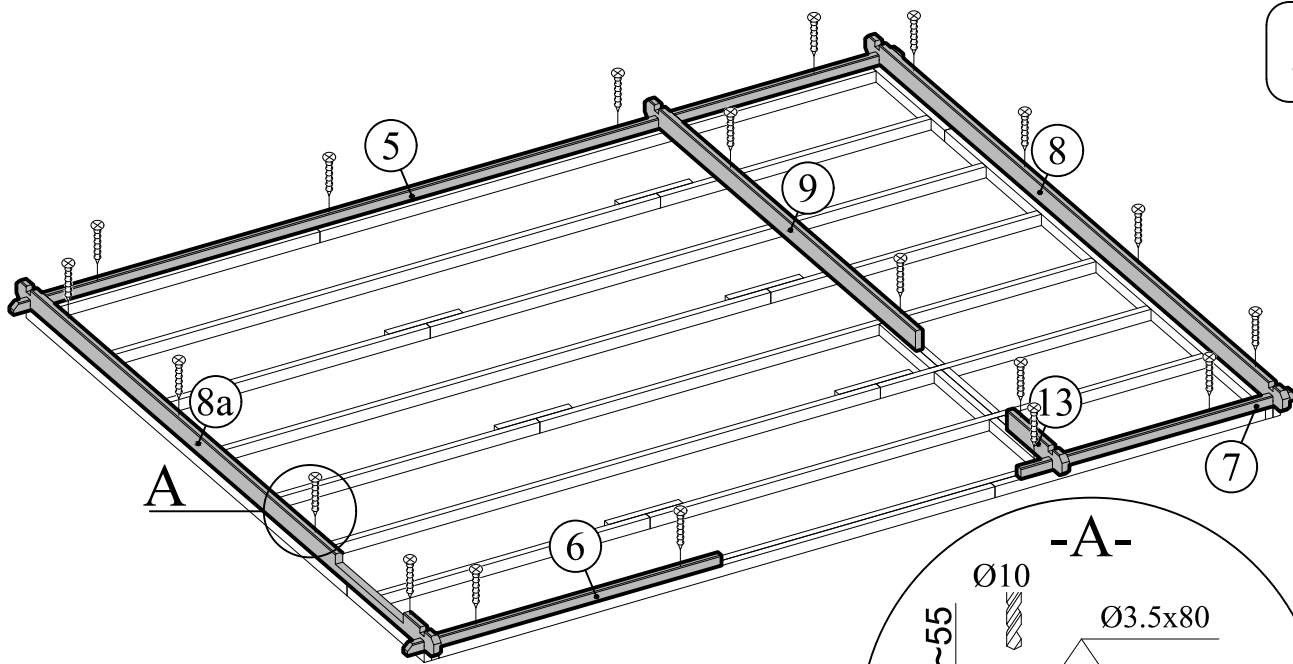
A=B=5932mm

→||←40mm

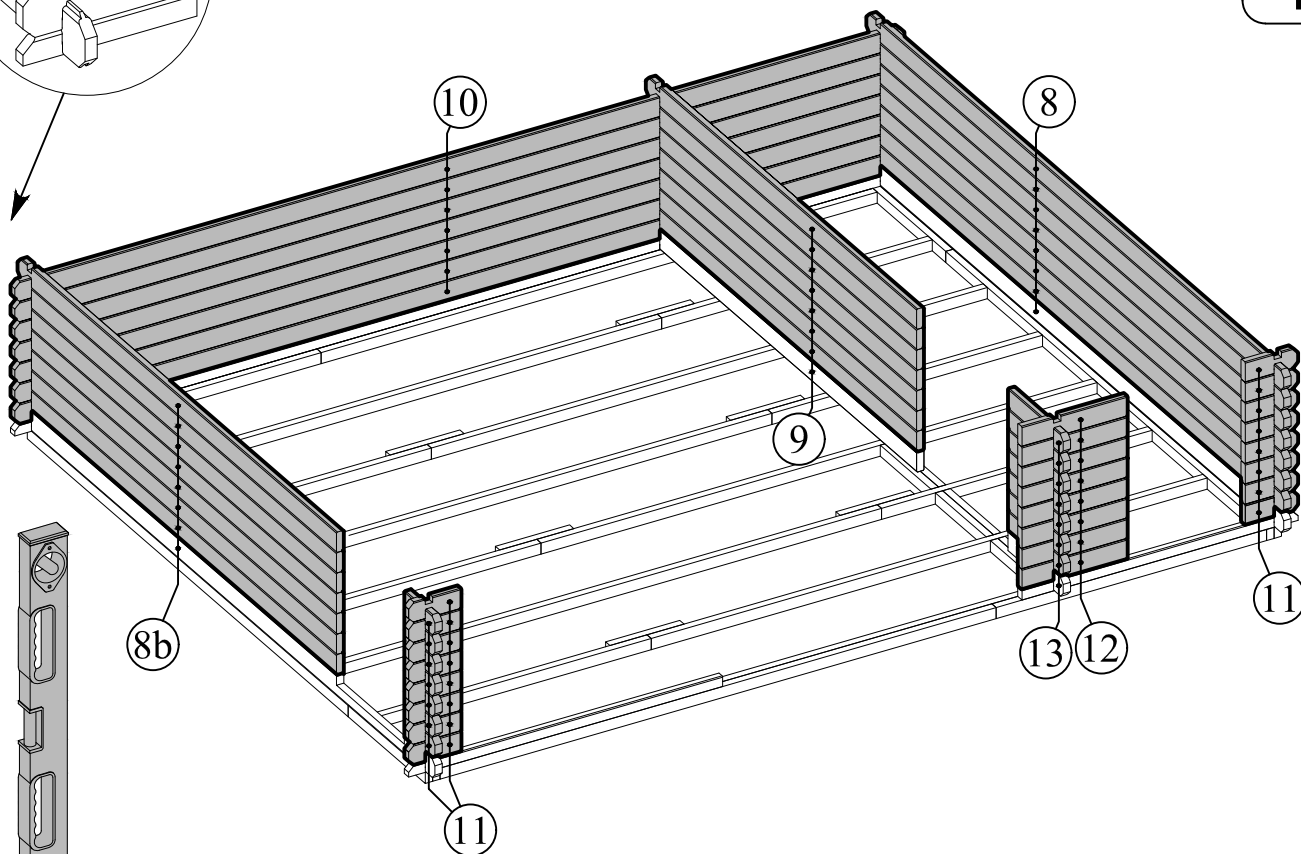
4,8 x 3,9

40234

3



4

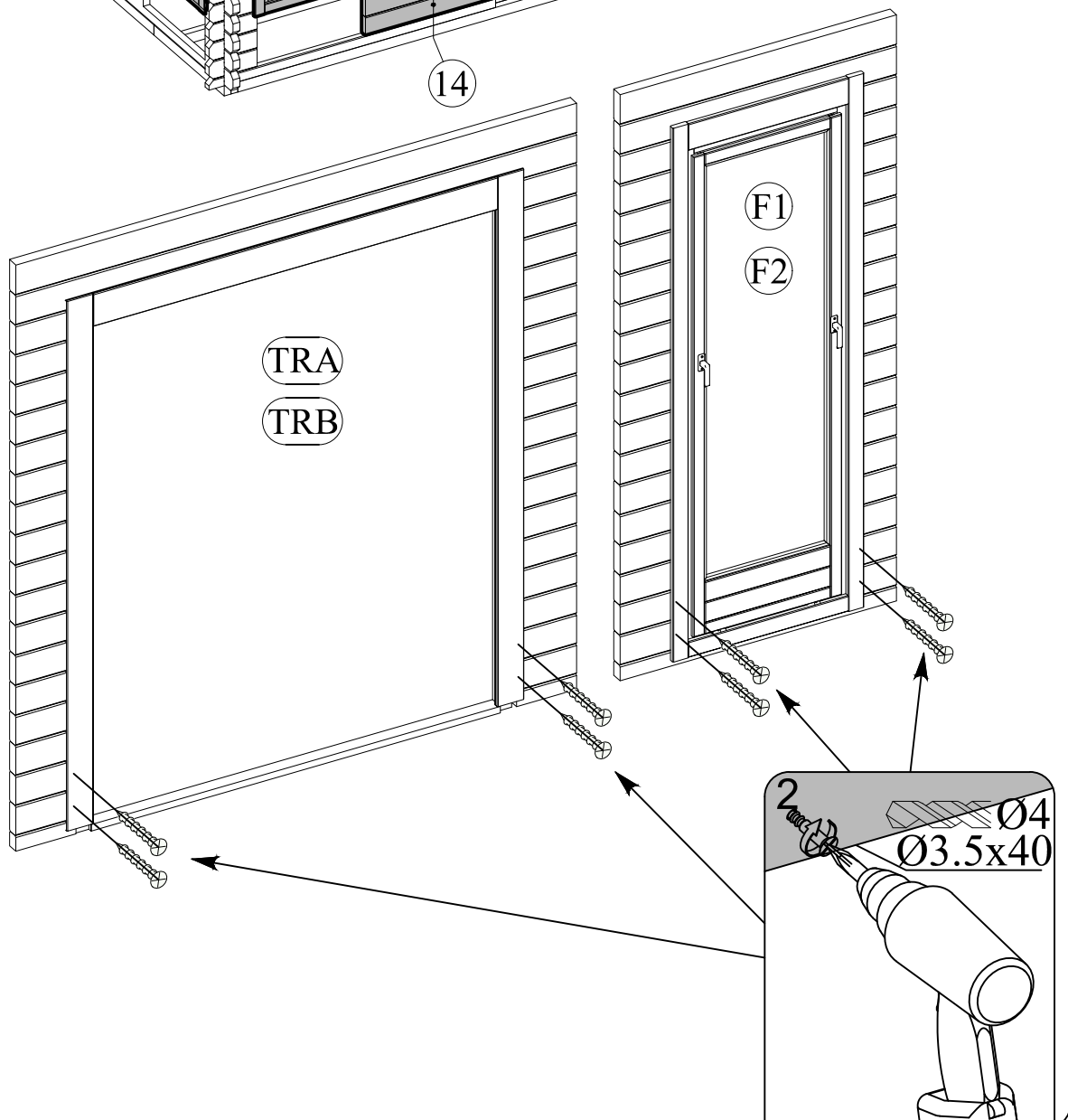
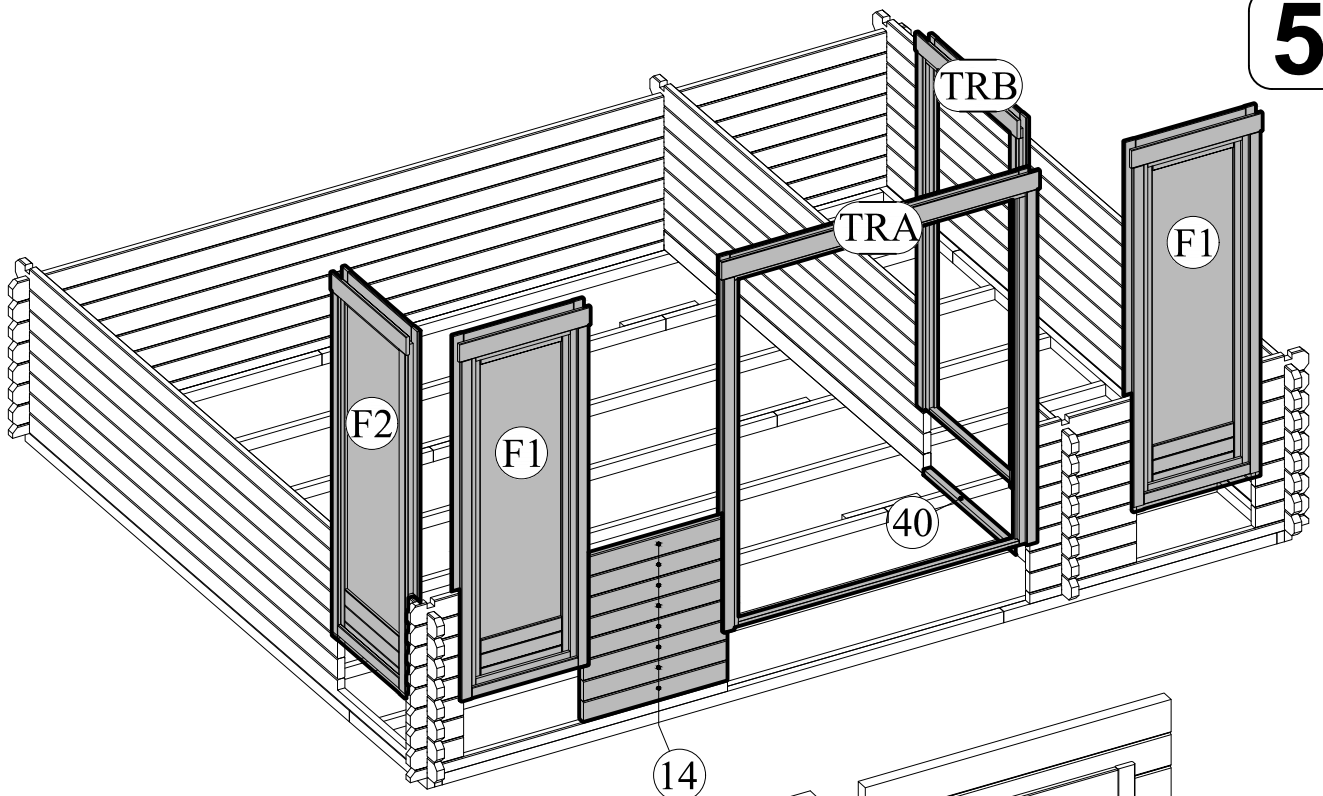


→||←40mm

4,8 x 3,9

40234

5

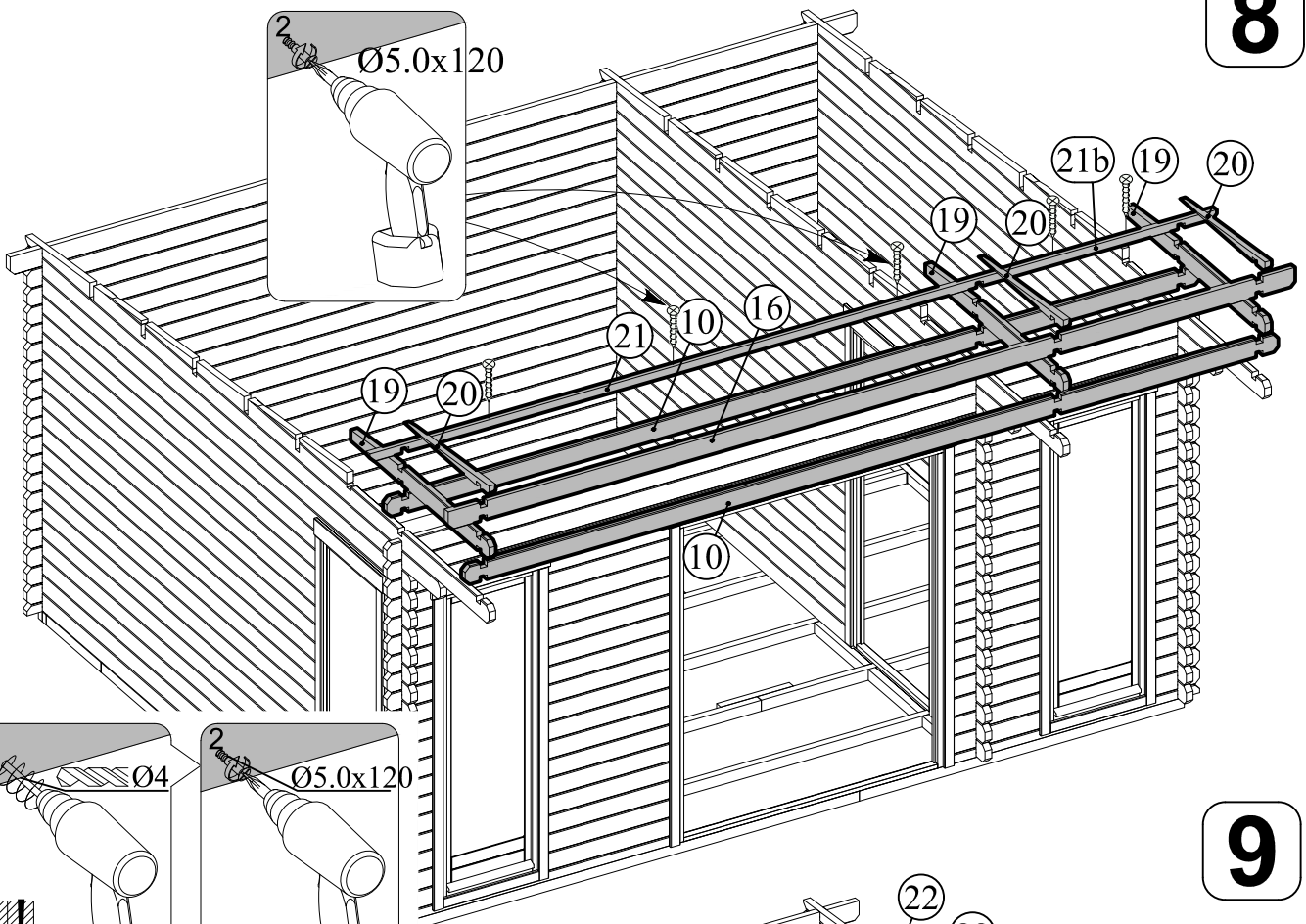


→||←40mm

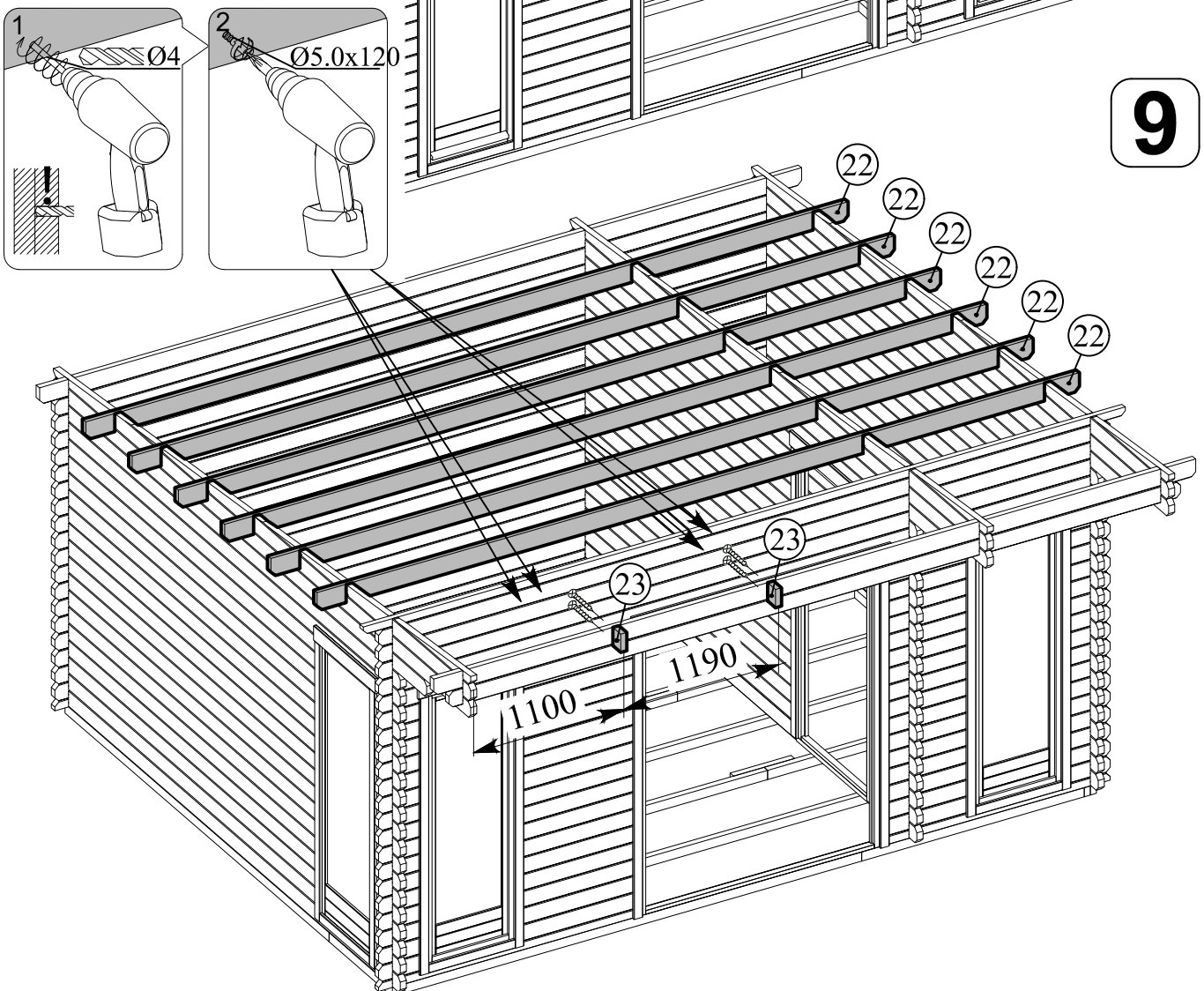
4,8 x 3,9

40234

8



9

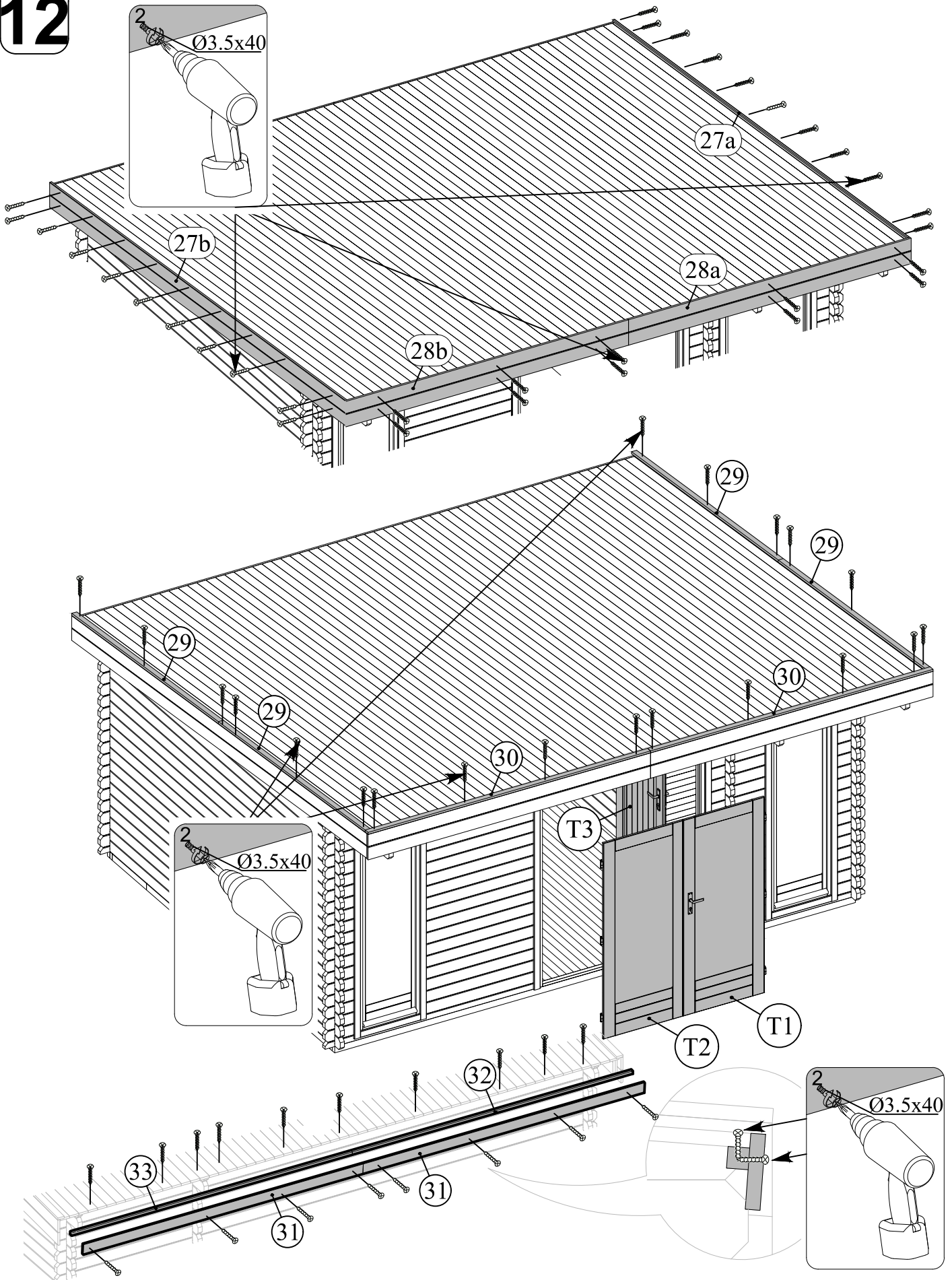


→||←40mm

4,8 x 3,9

40234

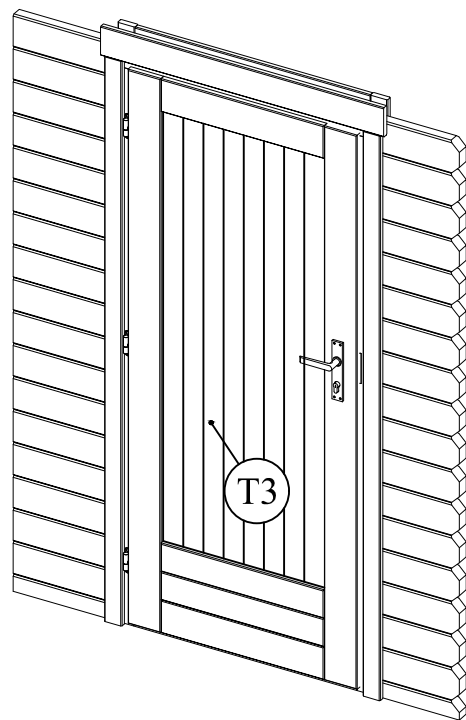
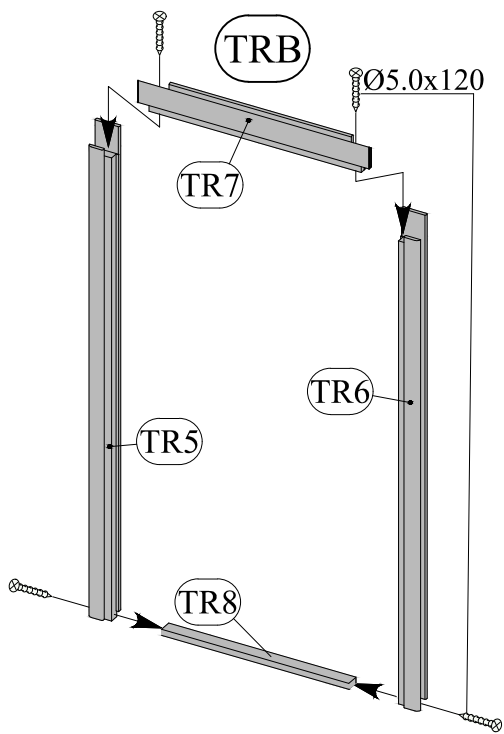
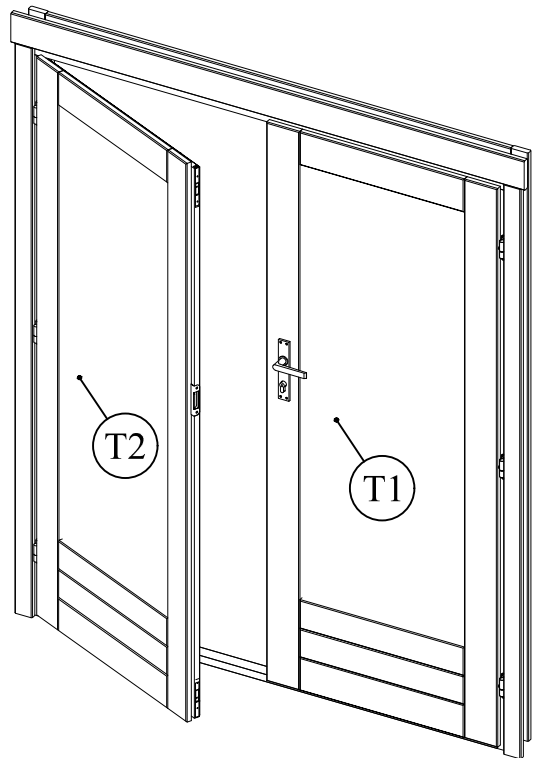
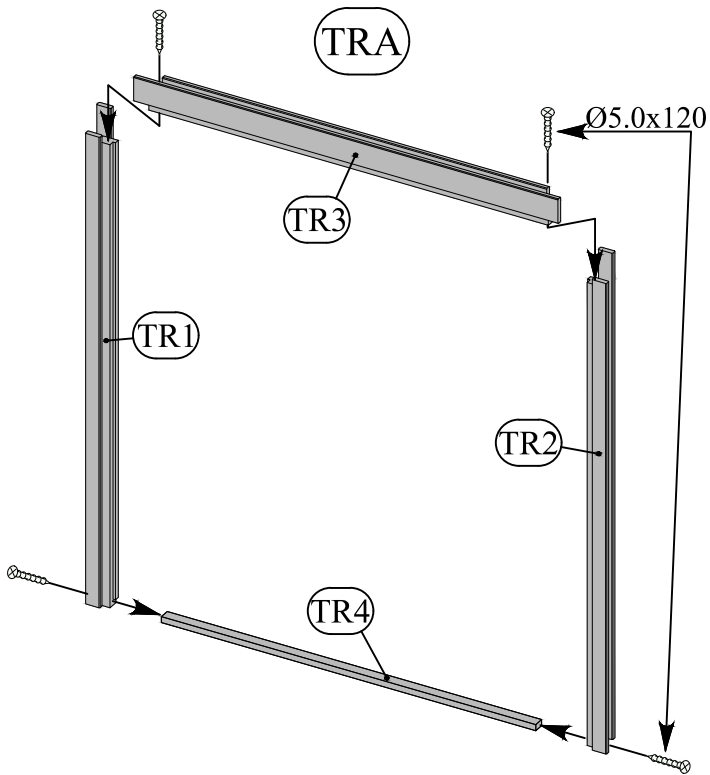
12



→||←40mm

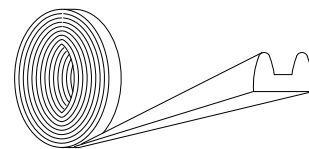
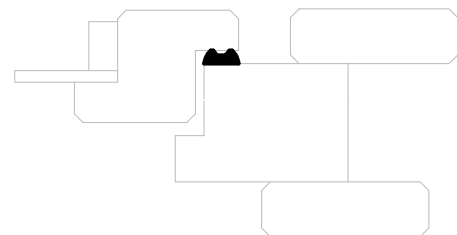
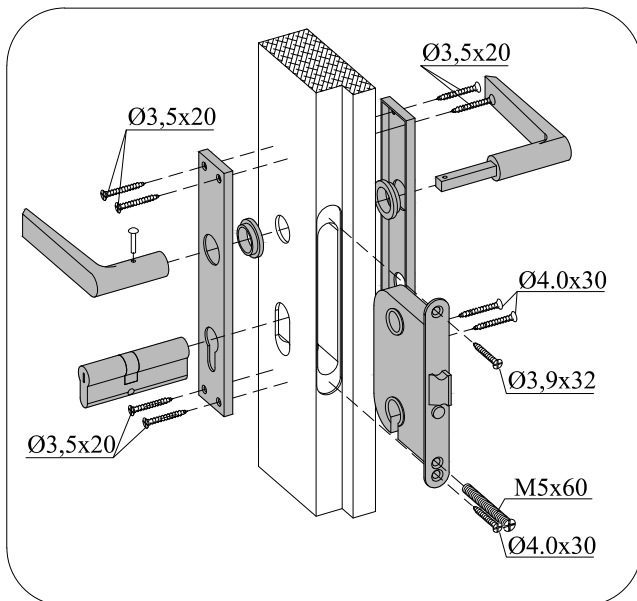
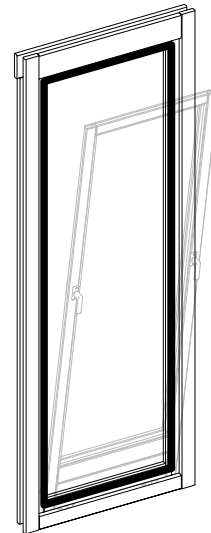
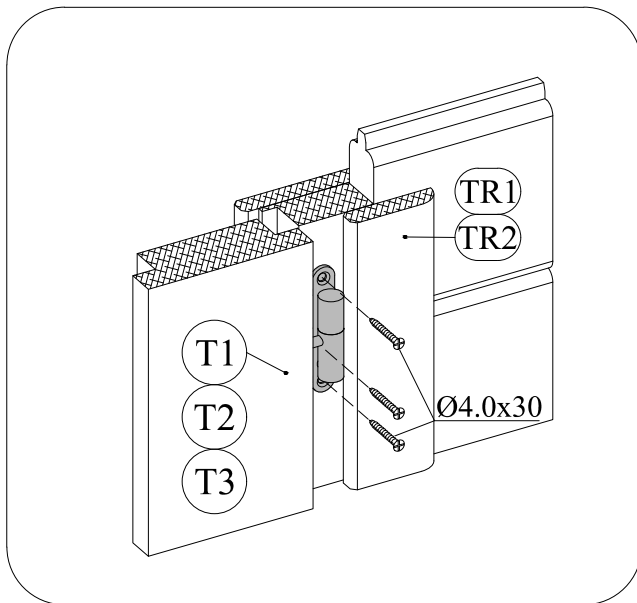
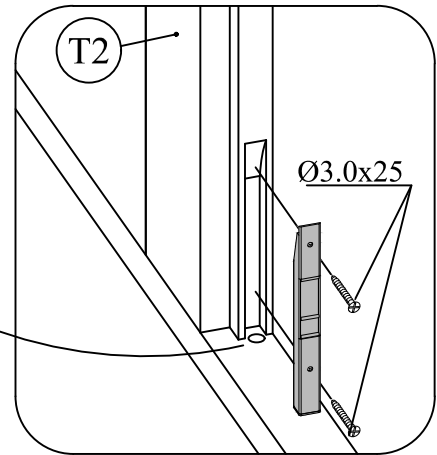
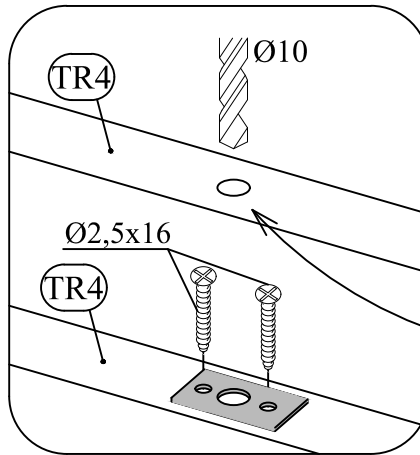
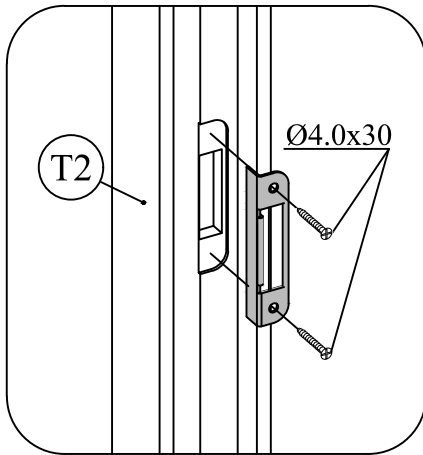
4,8 x 3,9

40234



→||←28mm

3.6 x 3.0 **40234**



Dichtgummi
sealing rubber